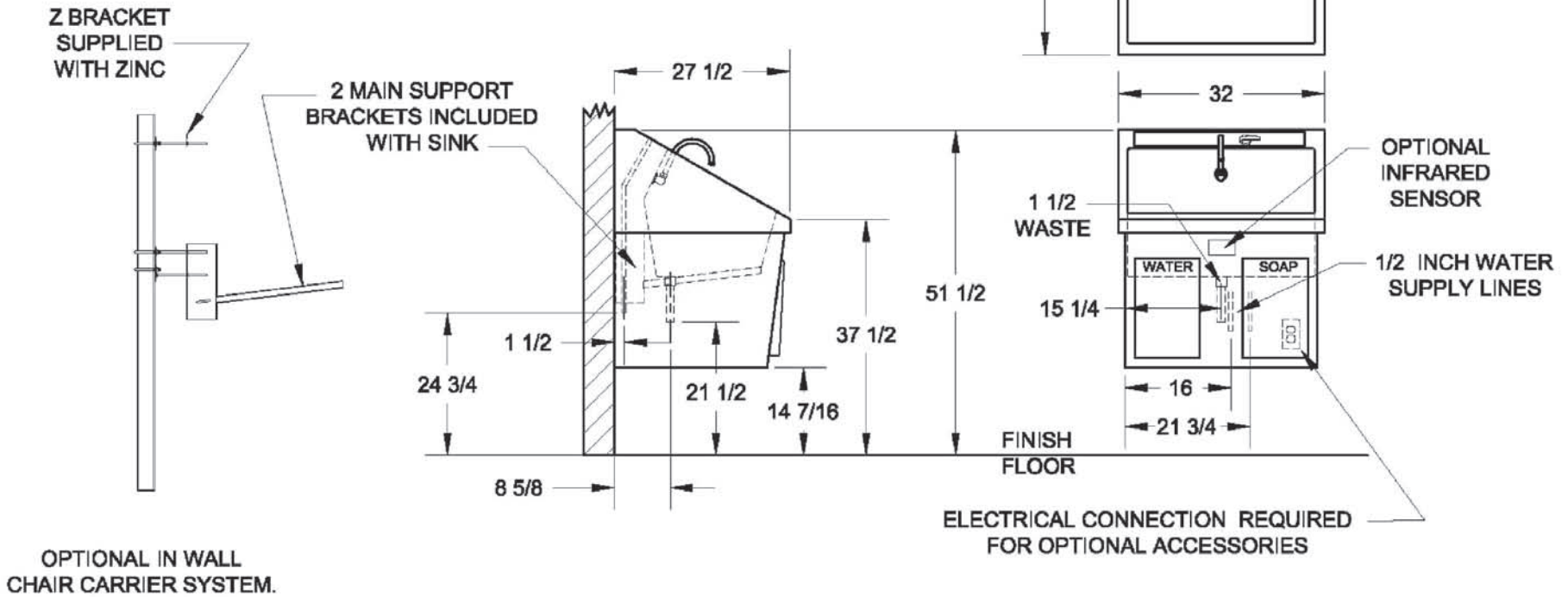
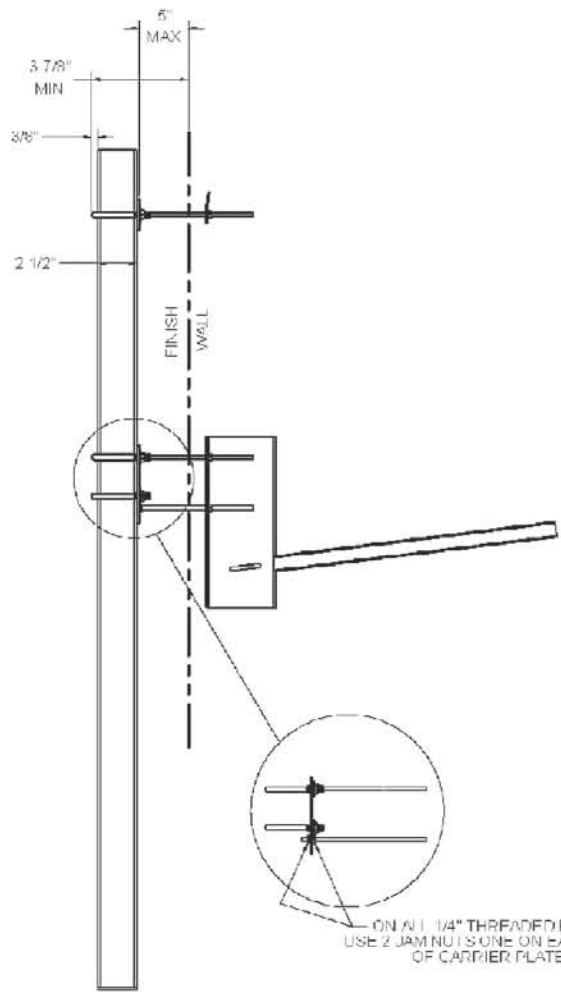


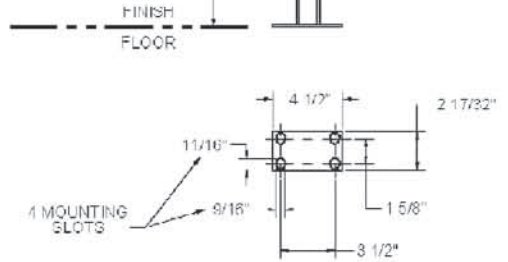
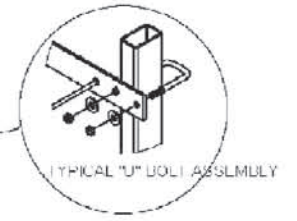
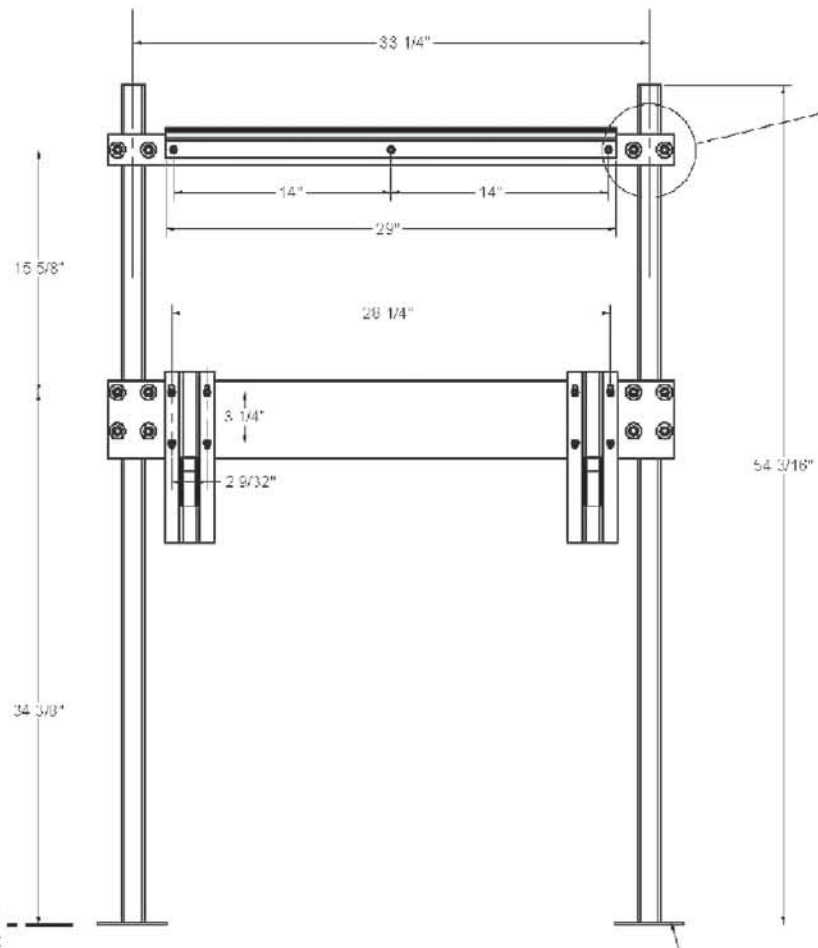


FUTURE HEALTH CONCEPTS, INC
1211 E. 30TH STREEY
SANFORD, FL 32773(
800)282-8644
DIRECT (407) 3223672
FAX (407) 322-3871





ON ALL 1/4\"/>



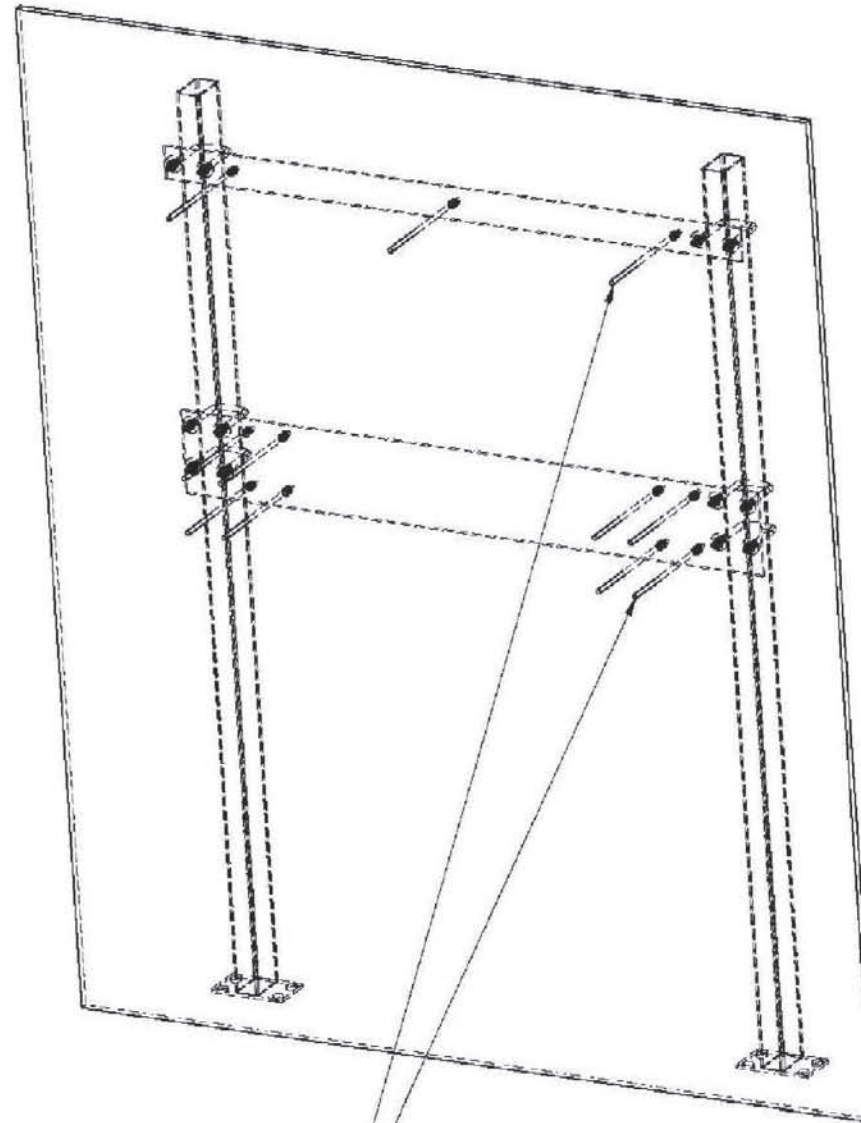
FOUR 1/2\"/>



FUTURE HEALTH
 CONCEPTS, INC
 1211 E. 30TH ST
 SANFORD, FL 32773
 (800) 282-8644
 (407) 322-3672 DIRECT
 (407) 322-3871 FAX
 WWW.FHCUSA.COM



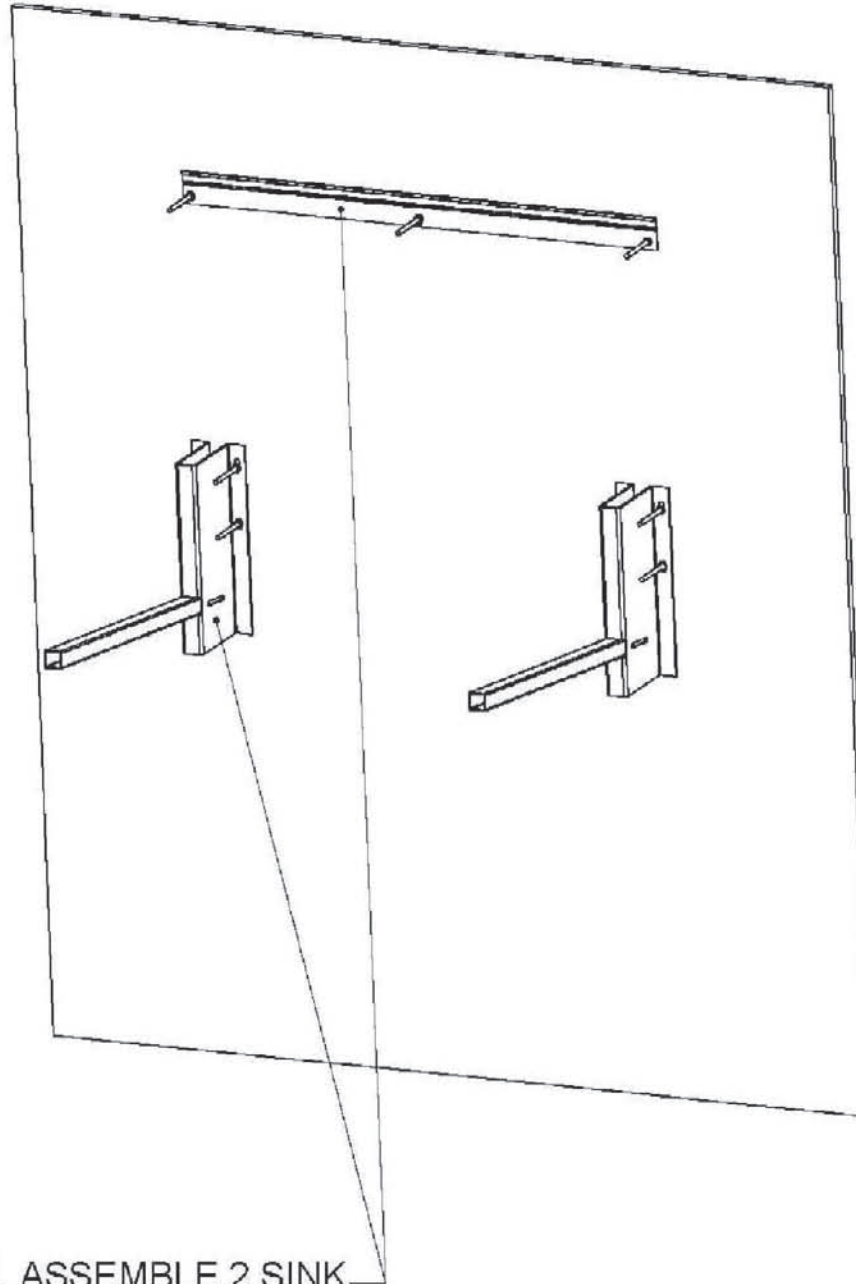
FUTURE HEALTH
CONCEPTS, INC
1211 E. 30TH ST
SANFORD, FL 32773
(800) 282-8644
(407) 322-3672 DIRECT
(407) 322-3871 FAX
WWW.FHCUSA.COM



AFTER ASSEMBLING THE SINK SUPPORT SYSTEM,
BUILD A WALL TO ENCLOSE THE SYSTEM. THE
1/4 INCH STUDS MUST PROTRUDE PAST THE
FINISH WALL A MINIMUM OF 1 INCH



FUTURE HEALTH
CONCEPTS, INC
1211 E. 30TH ST
SANFORD, FL 32773
(800) 282-8644
(407) 322-3672 DIRECT
(407) 322-3871 FAX
WWW.FHCUSA.COM



AFTER WALL IS COMPLETE, ASSEMBLE 2 SINK
SUPPORT BRACKETS AND 1 "Z" BRACKET TO
PROTRUDING STUDS WITH HEX NUTS