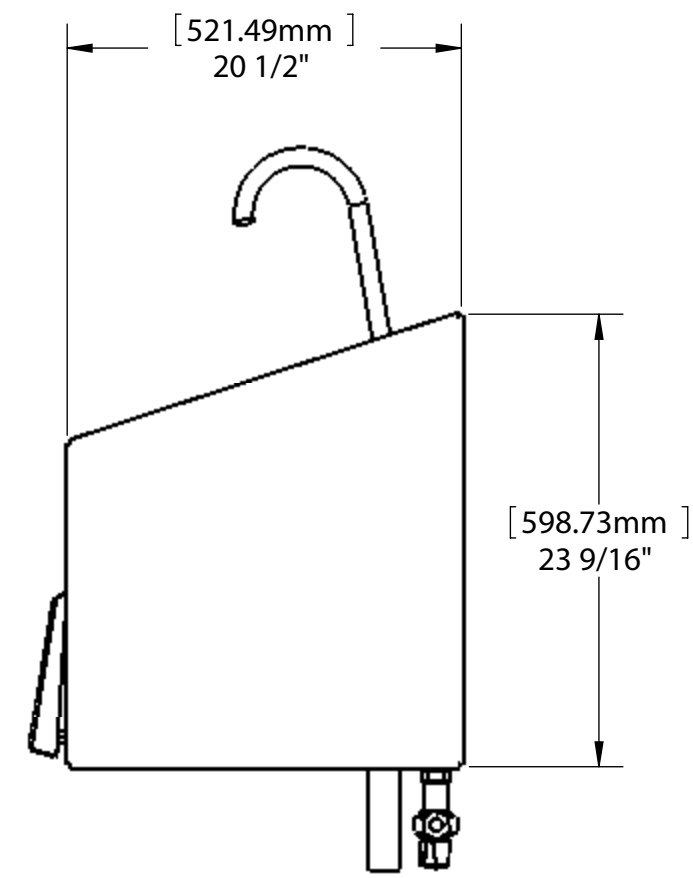
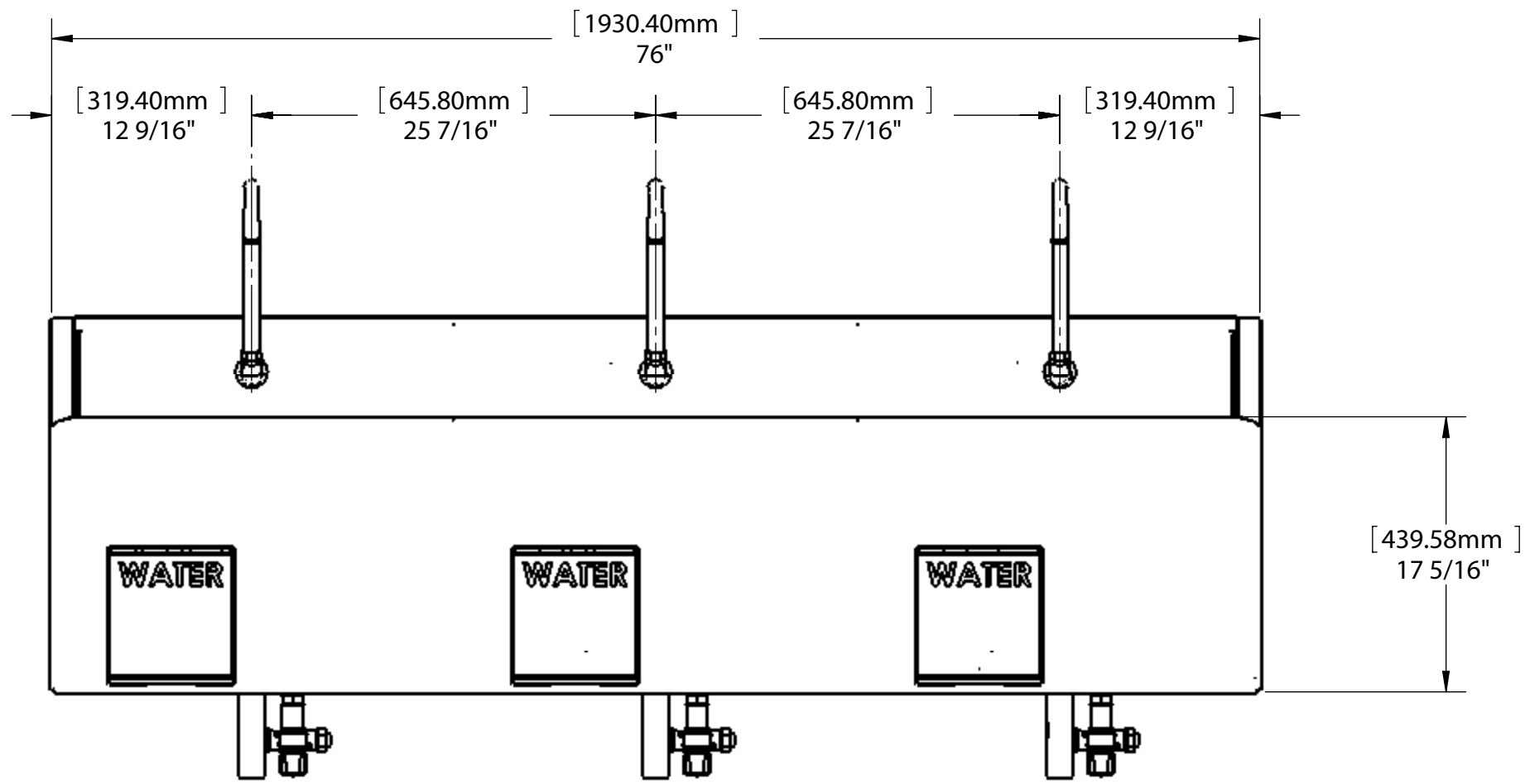
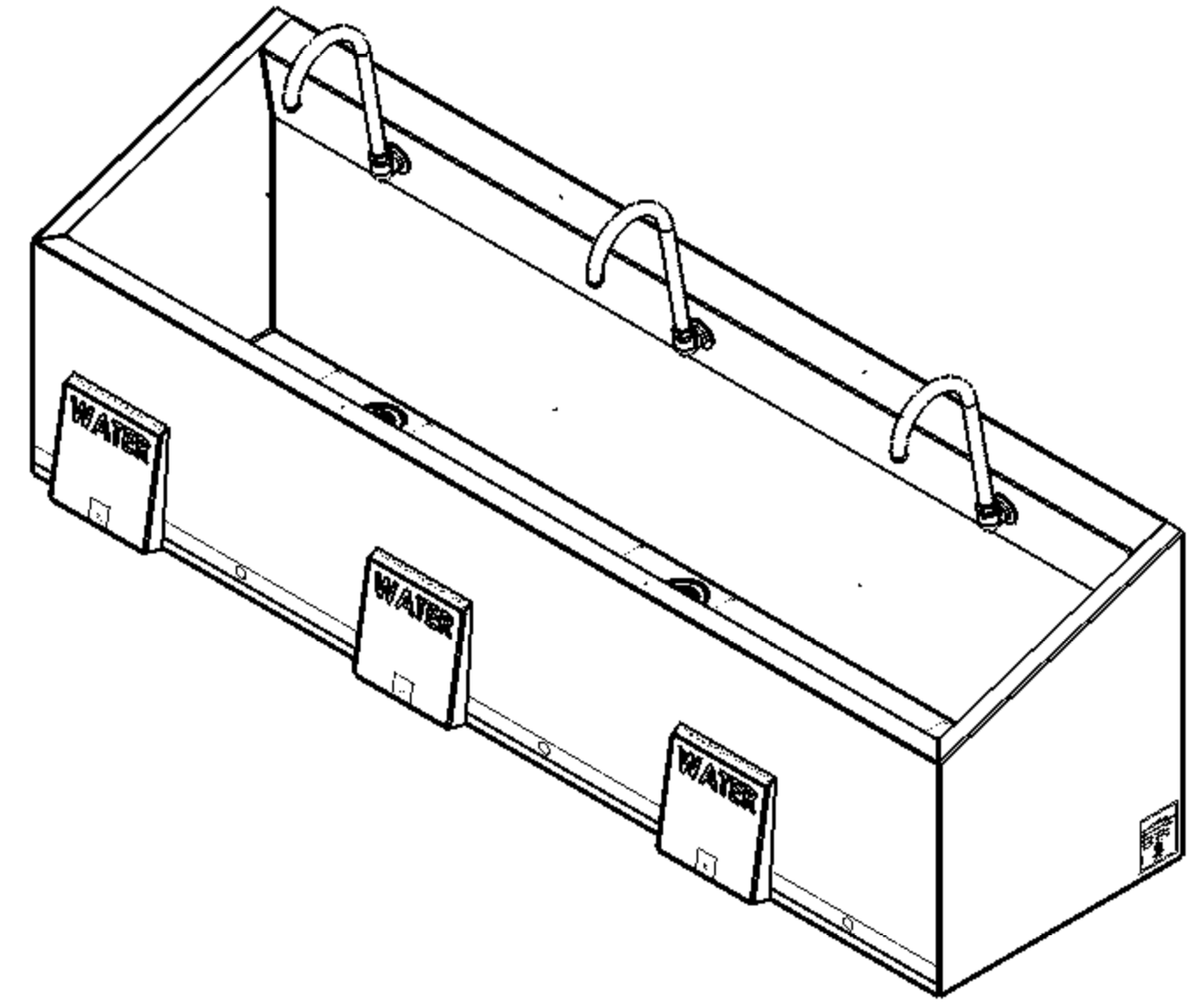
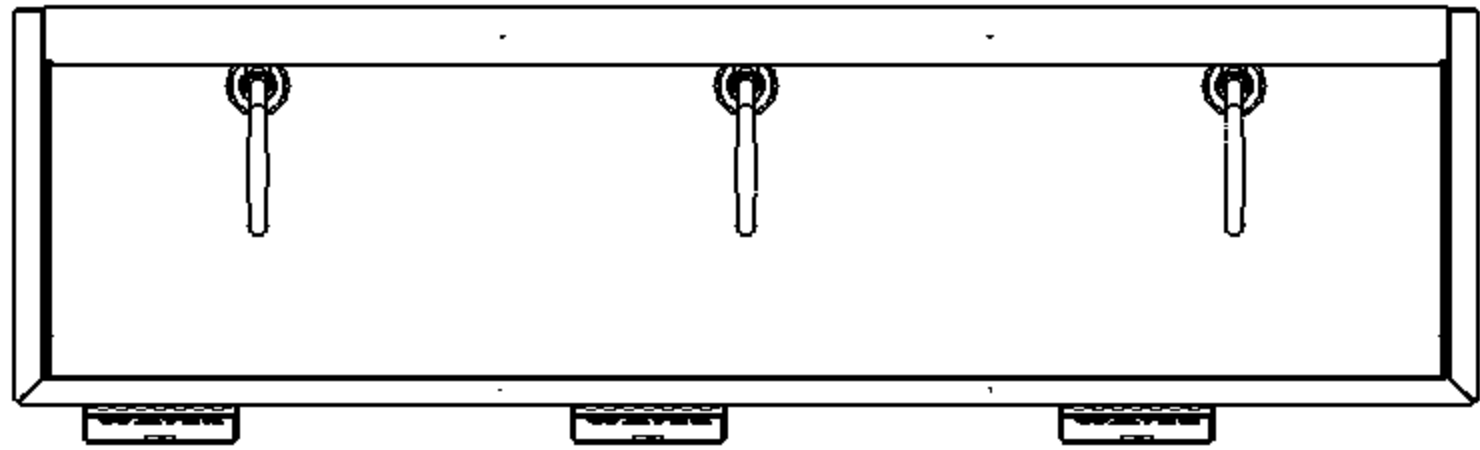


APPROVAL TO BUILD
 SIGNATURE: _____
 TITLE: _____
 DATE: _____



ANY PHYSICAL, DIMENSIONAL OR PERFORMANCE SPECIFICATIONS SHALL NOT BE REVISED WITHOUT WRITTEN AUTHORIZATION FROM FUTURE HEALTH ENGINEERING

THIRD ANGLE PROJECTION INCHES

CRITICAL TO QUALITY

TITLE
76" WIDE TRIPLE ECONOMY

TOLERANCES UNLESS OTHERWISE SPECIFIED
 ANGLES: ±1° .XX = ±.030
 FRACTIONS: ± 1/64 .XXX = ±.015
 .XXXX = ±.005

DRAWN BY J. HERMANN	DATE 8/12/2010
CHANGED BY	ECO #
CHECKED BY	DATE
SCALE 1:12	SHEET 1 OF 2



DRAWING NUMBER
ES76

CONFIDENTIAL & PROPRIETARY TO FUTURE HEALTH CONCEPTS NOT TO BE COPIED OR SHOWN TO ANYONE WITHOUT THE EXPRESS PERMISSION OF FUTURE HEALTH CONCEPTS, INC.

	CUSTOMER APPROVAL	JOHN H.	8/12/2010
REV.	DESCRIPTION	CHANGED BY:	DATE
REVISIONS			