

Surgical Scrub Sinks

Manufactured of the highest quality possible, Future Health Concepts delivers a full line of hands-free, fully functional Surgical Scrub Sinks. Combining the best materials, components, & craftsmanship available, each sink is hand built to the customer's specific needs.

We work with you to determine exactly what specifications and then build it at a budget-friendly price. Whether you need a single, double or even triple scrub sink, FHC can provide it all.

SS Series Scrub Sink Standard Features:

- Deep sloping basin
- Adjustable thermostatic controlled pressure regulates mixing valves (one per station)
- Check stop strainers for ease of maintenance
- High mount swivel gooseneck spout w/ adjustable swivel spray aerator
- Flow control valve
- Backflow preventers
- Infrared sinks equipped with 24 volt plug in transformer
- Splash screen dividers with double and triple station sinks
- Main support and Z-brackets (in-wall support optional)
- 304 stainless steel polished and ground to a #4 finish



FHCSS32-PB
(Optional Pedestal Base Shown)

ES Series Scrub Sink Standard Features:

- Deep sloping basin
- Adjustable thermostatic controlled pressure regulates mixing valves (one per station)
- High mount swivel gooseneck spout w/ adjustable swivel spray aerator
- Flow control valve
- Backflow preventers
- Infrared sinks equipped with 24 volt plug in transformer
- Z-brackets (in-wall support optional)
- 304 stainless steel polished and ground to a #4 finish
- Smaller outside dimensions w/ deep basin for more economical choice



FHCES25-IR-MB

Surgical Scrub Sinks

SS Surgical Scrub Sink Options:

Knee Operated Surgical Scrub Sinks:

The operation of these sinks is very simple. Press knee panel one time to activate water flow. Press again to stop flow. The soap panel works in a pumping fashion with soap being dispensed through a stainless steel spout located near the mixing valve. The base has been designed to accommodate gallon sized soap container storage behind the knee panels.



Infrared Operated Surgical Scrub Sinks:

The infrared sensor is located on the front of each station and is activated by the user's waist. There is a 2 second on/off delay for water flow. The sensor range is 12" to 14". Both features combined eliminate activation by simply passing by. Optional knee operated or foot control soap pumps are available.



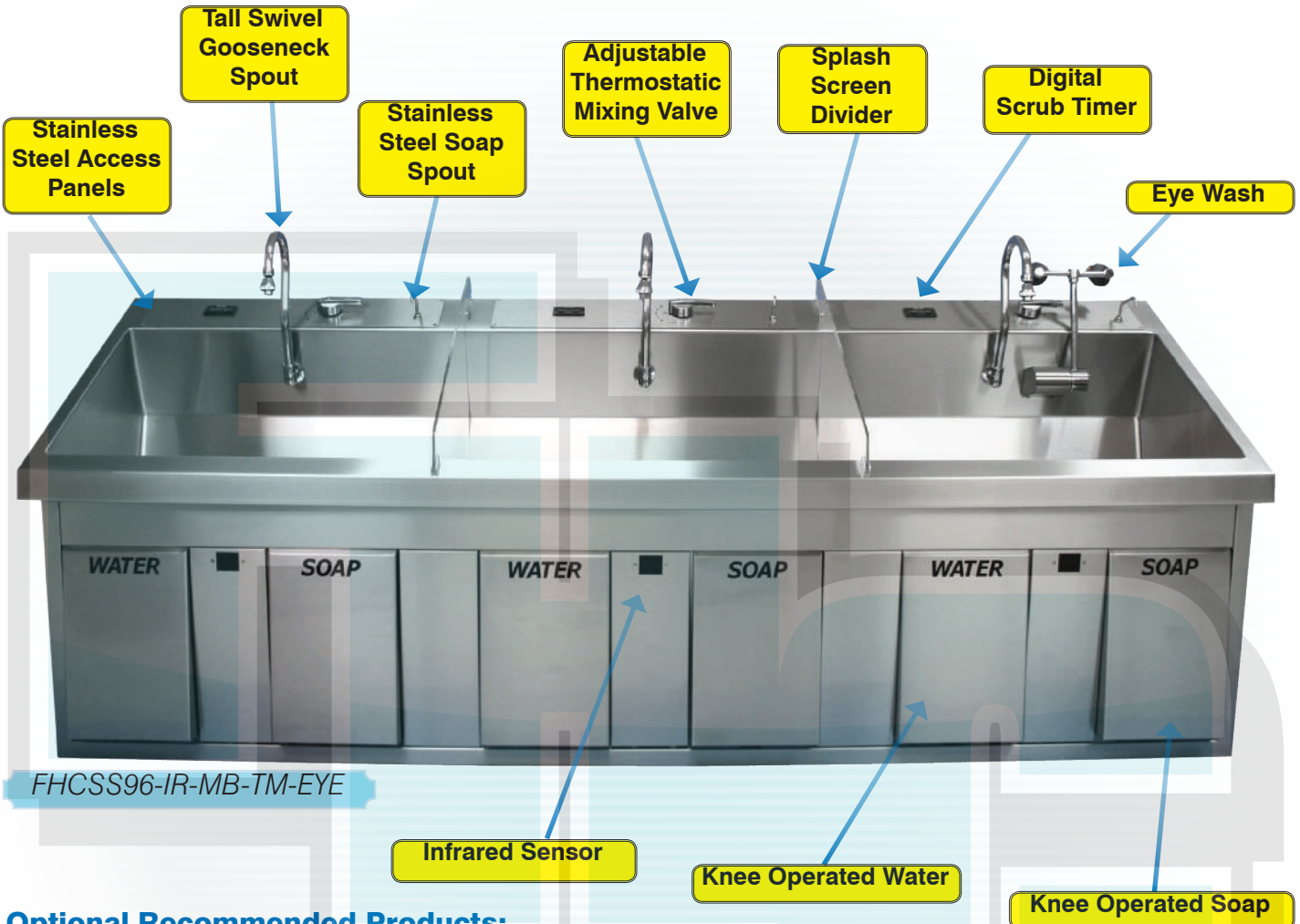
Deluxe Surgical Scrub Sinks:

Built as a hybrid, these sinks have dual controls. Equipped with a infrared operated water control as well as a manual bypass for knee operated water control. The main operation is via infrared sensor located between the knee panels. The operation for water control is on standby as a backup. In addition, the sink is also equipped with knee operated soap.



Surgical Scrub Sinks

SS Series Surgical Scrub Sink Features & Options:



Optional Recommended Products:

Sink Model	In-Wall Chair Carrier #	Shelf Over Sink #	Lighted Shelf Over Sink #
Single	P-617106-846	FHCSS3211.5	FHCSSL3211.5
Double	P-617106-851	FHCSS6411.5	FHCSSL6411.5
Triple	P-617106-852	FHCSS9611.5	FHCSSL9611.5

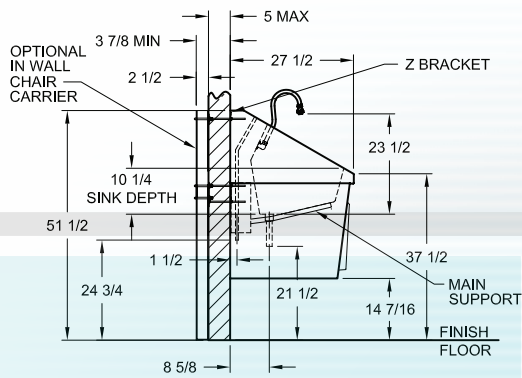
How to Order Our SS Series Scrub Sinks:

Options Available	Infrared Operation	Manual Bypass to add Knee Operated Water and Soap With IR Operation	Knee Operated Soap With IR Operation	Foot Operated Soap (All Sinks)	Digital Scrub Timer	Eye Wash	220-240V	Pedestal Base
Option Extension	IR	MB	KSP	FSP	TM	EYE	220	PB

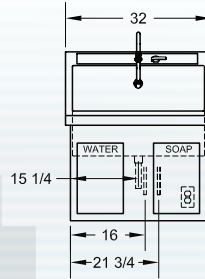
Examples: Model # FHCSS64 Infrared Operated w/ Knee Operated Water and Soap plus Digital Scrub Timers = Our Model # FHCSS64-IR-MB-TM

Surgical Scrub Sinks

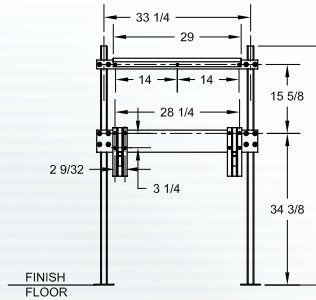
SS Series Surgical Scrub Sink Specifications:



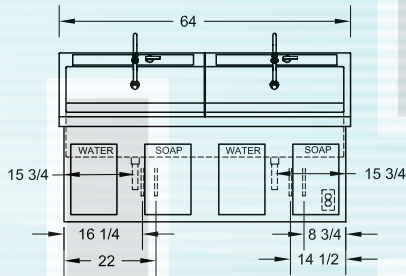
FHCSS-32



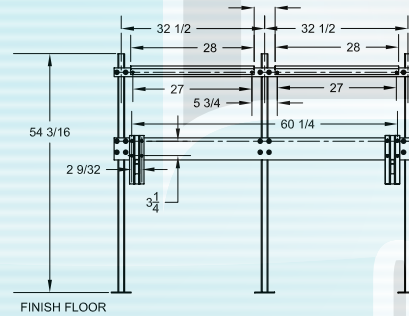
FHCSS-32



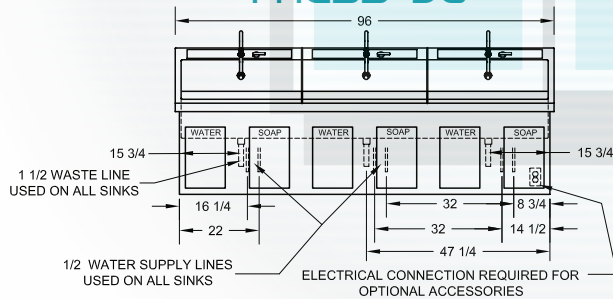
FHCSS-64



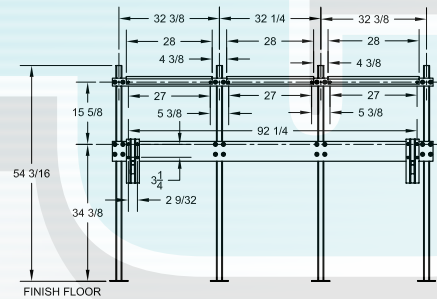
FHCSS-64



FHCSS-96



FHCSS-96



1/2" WATER SUPPLY LINE DETAIL
USED ON ALL SS SERIES SINKS



Surgical Scrub Sinks

ES Series Surgical Scrub Sink Features & Options:

Our ES series scrub sinks were developed to be the answer to space and economical constraints. The ES series sinks have a smaller outside dimension, but still have a deep basin to allow for a proper scrub. The operation of the ES sinks are the same as that of the SS series sinks but the features do vary.



How to Order Our ES Series Scrub Sinks:

Options Available	Infrared Operation	Manual Bypass to add Knee Operated Water and Soap With IR Operation	Knee Operated Soap With IR Operation <small>(Soap is not a standard feature w/ knee operated water on ES series sinks)</small>	Foot Operated Soap (All Sinks)	Digital Scrub Timer	Eye Wash	220-240V	Pedestal Base
Option Extension	IR	MB	KSP	FSP	TM	EYE	220	PB

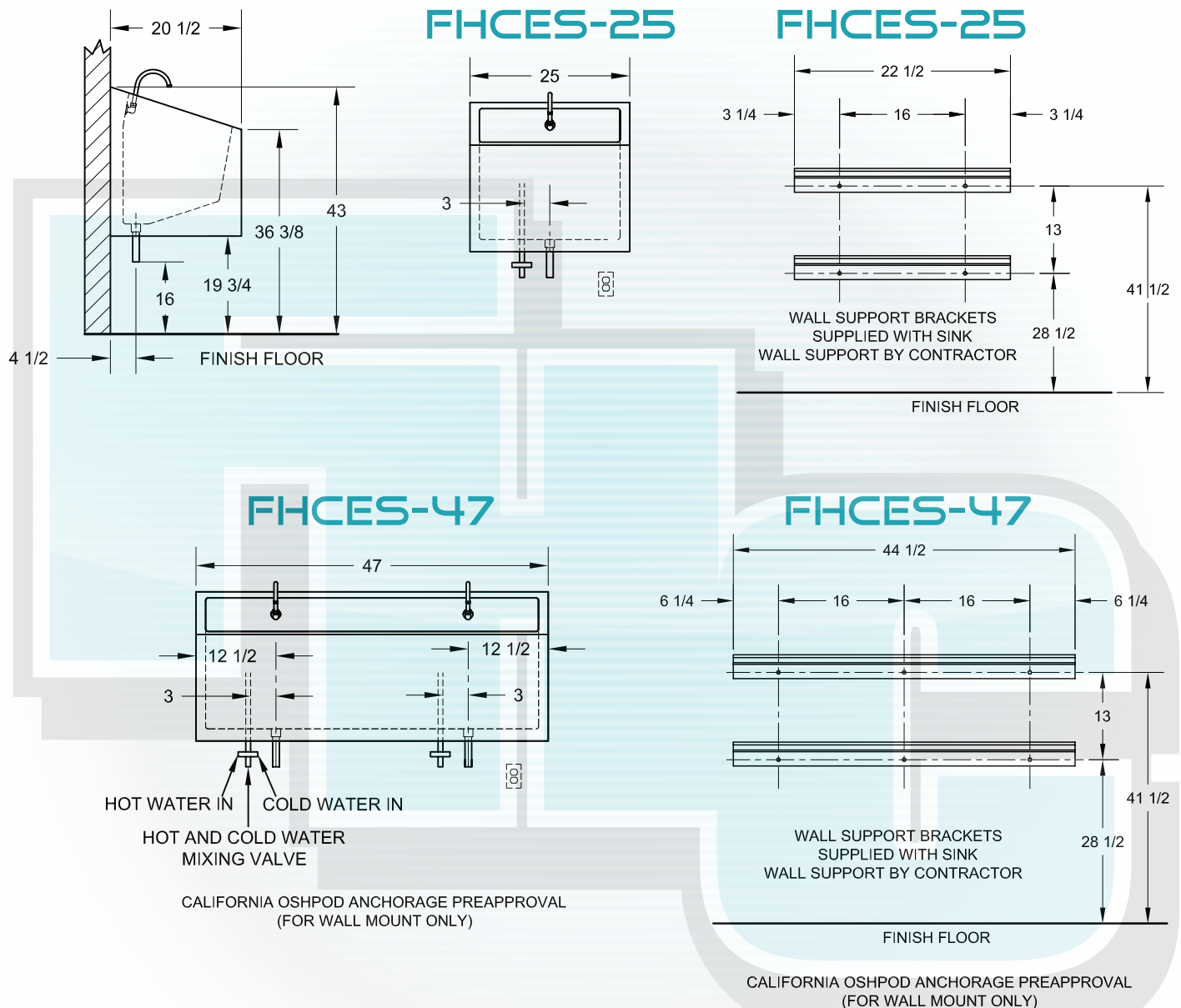
Example: Model # FHCES47 Knee Operated Soap and Eye Wash with Pedestal Base = Our Model # FHCES47-KSP-EYE-PB

Surgical Scrub Sink Utility Requirements:

Utility	Connection On Unit	Pressure Range	Temperature	Consumption
Drain	1 1/2" x 6" Tail Piece	N/A	N/A	N/A
Cold Water	1/2" NPT	20-50 PSIG	70 Degree F. Max	2 GPM Per Station
Hot Water	1/2" NPT	20-50 PSIG	180 Degree F. Max	2 GPM Per Station
Electrical (IR Units Only)	120V	N/A	N/A	N/A

Surgical Scrub Sinks

ES Series Surgical Scrub Sink Specifications:



Warranty

All Surgical Scrub Sinks manufactured by Future Health Concepts, Inc. will carry a limited lifetime warranty against manufacturing defects and a one year parts and labor warranty. The factory will service all units without cost to the buyer for one year from shipment. After the one year period, replacement of a defective part will be at buyer's expense. We will exchange all defective parts at no cost to the buyer for a period of one year from shipment. All defective parts must be returned within 30 days to ensure proper credit. An RA from Future Health Concepts, Inc. must be obtained prior to items return.