

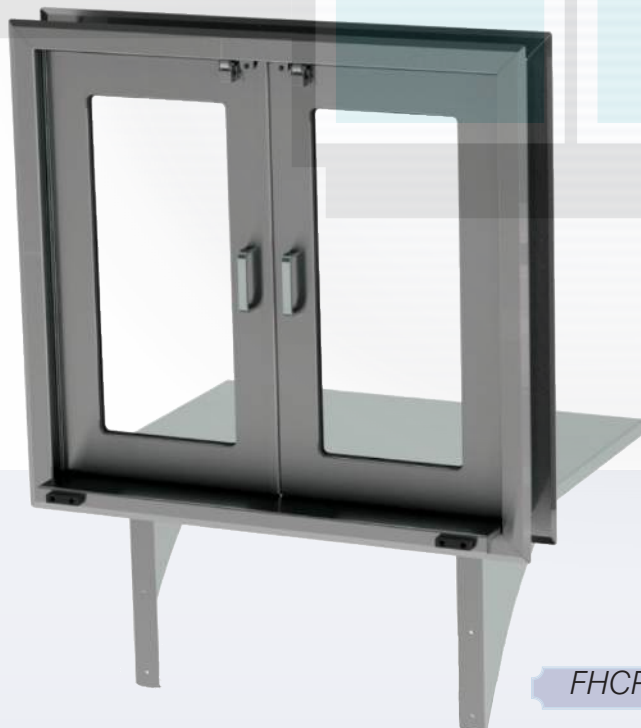
Pass-Through Windows

FHC Pass-Through Window:

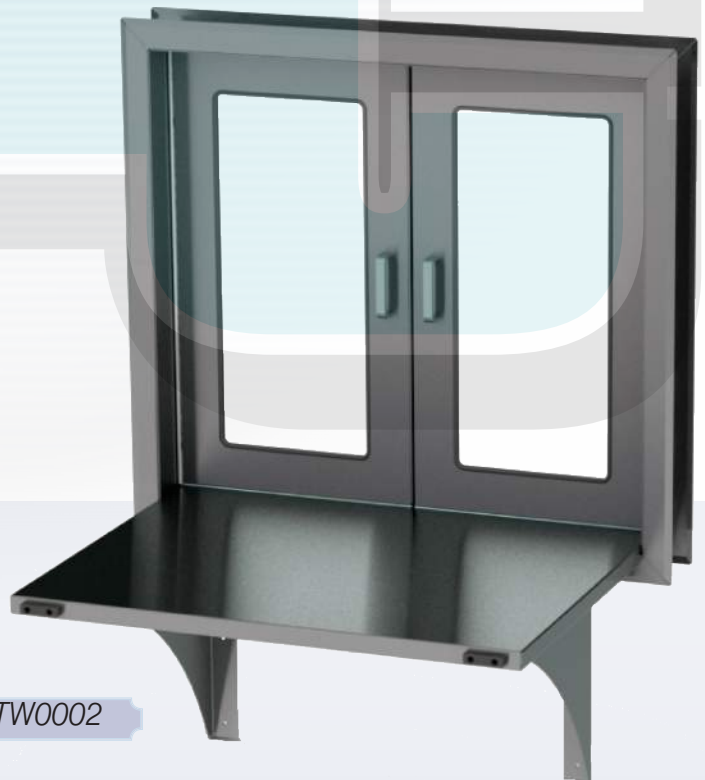
FHC Pass-Through Window Assembly: Our Pass-Through Windows are designed by your individual specifications. Each Pass-Through Window assembly is **Fully Customized** to adjust to your facilities' available space. The assembly is constructed with fully welded stainless steel, and the thick, tempered glass makes transferring items between decontamination and preparation areas a breeze.

Standard Features:

- 300 series stainless steel welded construction
- 14 Gauge wall bracket
- 12 Gauge frame
- 16 Gauge glass doors
- 18 Gauge front and back cover
- Doors non-locking w/ spring loaded catches
- Tempered glass 3/16" thick
- Available with or without shelf

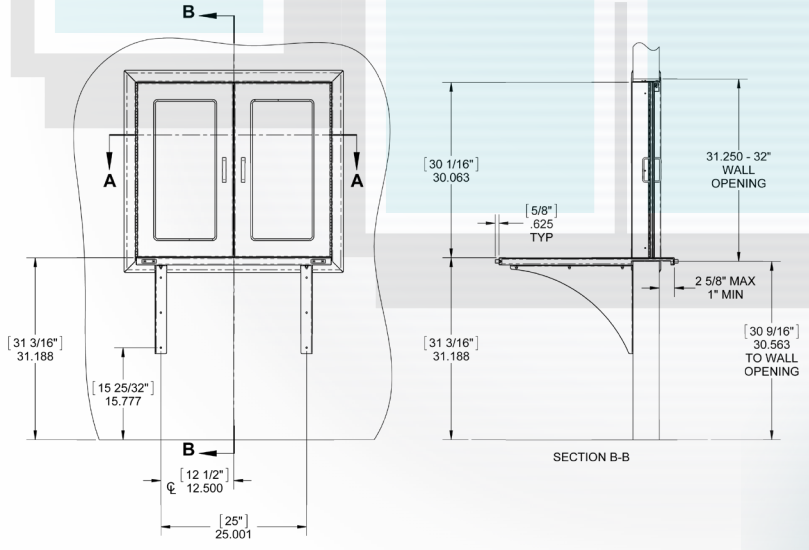
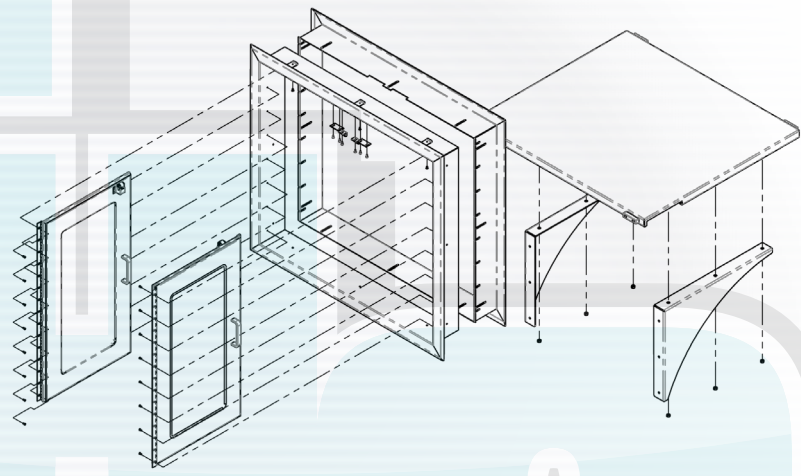
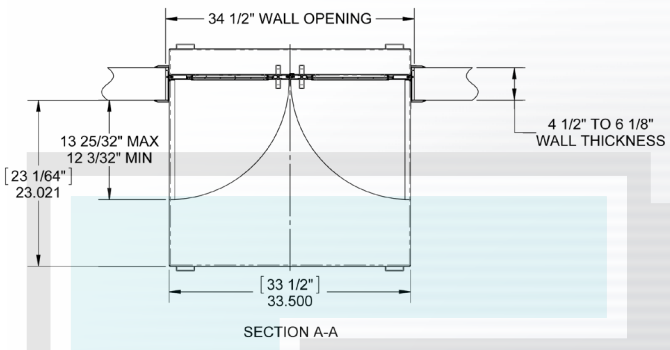


FHCPTW0002



Pass-Through Windows

FHC Pass-Through Window Drawing Example:



PASS-THROUGH WINDOWS