

Transport Stretchers

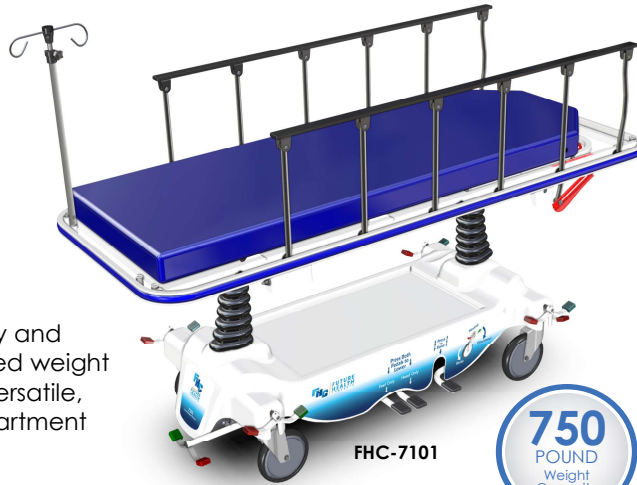
Our Transport Stretchers are designed to ensure safety and efficiency while offering the best blend of features, value, ergonomics, and customer support in the industry. A variety of standard and optional features provide optimal patient comfort & transport.

Redesigned

FHC-7101

General Transport Stretcher

The new redesigned FHC-7101 allows for easy and comfortable patient transfer with an increased weight capacity of up to 750 lbs. Economical and versatile, the FHC-7101 is an ideal solution for any department where cost efficient quality is required.



STANDARD FEATURES

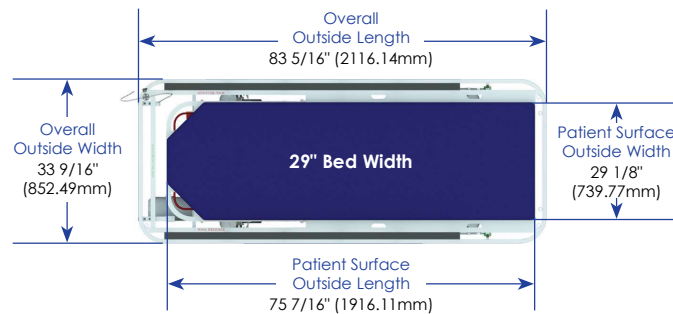
- 750 lb. weight capacity
- Height adjustment range: 22"-35" (bottom of mattress)
- Ergonomically located oxygen tank holder
- Effortless steering, pivoting, and cornering with 8" Tente casters (1 directional & 3 swiveling)
- 6 brake/steer pedals
- Dual pedestal lift mechanism
- Lift/Trendelenburg pedals on both sides
- Trendelenburg & reverse Trendelenburg +/- 18°
- Dual Fowler assisted lift back rest with 90° adjustability
- Fold forward side rails with built in push handles
- 29" or 31" bed width
- 4" comfort mattress
- 2 hook removable telescopic IV pole
- 6 IV pole sockets available
- Large storage area underneath for patient belongings
- Full perimeter bumper to protect your walls and fixtures
- 4 restraint belt locations

OPTIONAL FEATURES

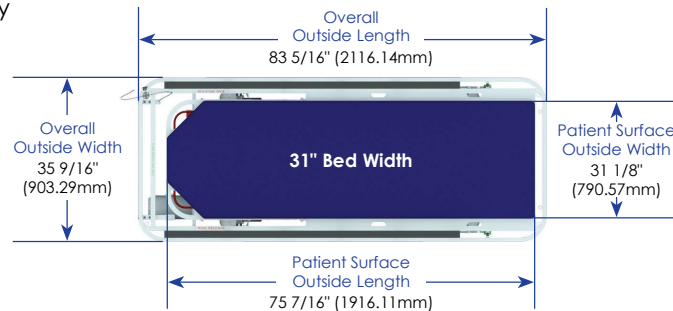
- 5th wheel add-on kit
- Fold down push handles
- Knee gatch
- Paper roll dispenser kit *
- Detachable foot board *
- Envelope style rail bumper pads *

* Additional lead time required (7-10 business days)
Note: Model # will change based on features added

FHC-7101



FHC-7101-31



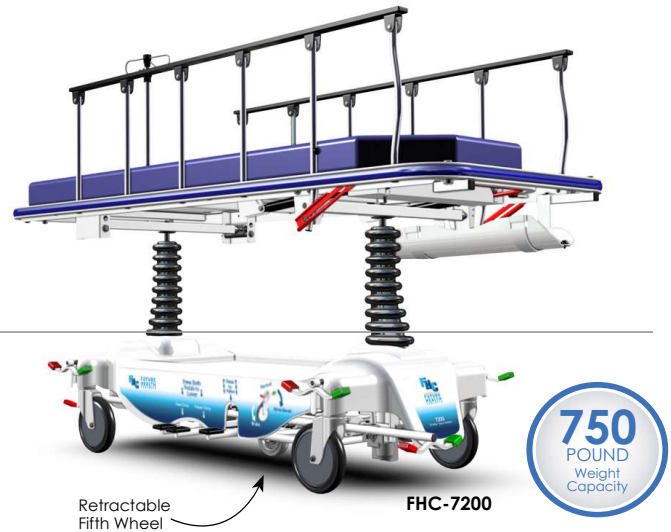
Height Adjustment Ranges (FHC-7101 & FHC-7101-31)



FHC-7200

5th Wheel Transport Stretcher

Future Health Concepts, Inc. is pleased to announce the arrival of the new FHC-7200 5th Wheel Transport Stretcher. The retractable center fifth wheel combines effortless directional movement and cornering with 4 swiveling wheels for ease of use, control, and safety.



750
POUND
Weight
Capacity

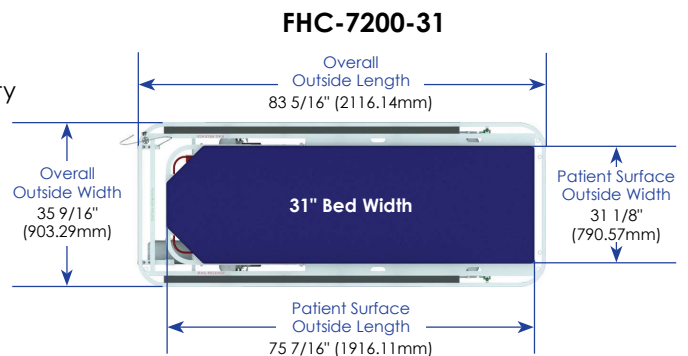
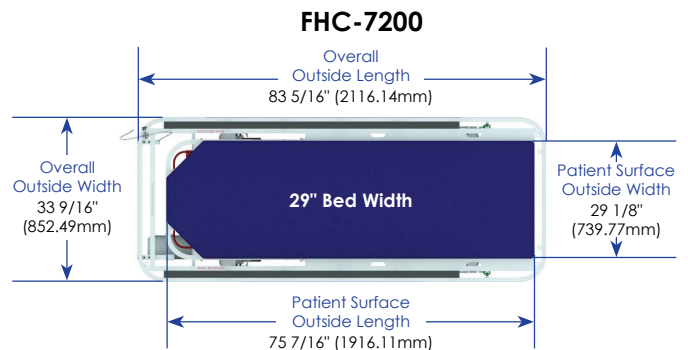
STANDARD FEATURES

- Retractable center fifth wheel provides effortless directional movement and cornering
- 750 lb. weight capacity
- Height adjustment range: 22"-35" (bottom of mattress)
- Ergonomically located oxygen tank holder
- Effortless steering, pivoting, and cornering with 8" Tente casters (4 swiveling)
- 6 brake/steer pedals
- Dual pedestal lift mechanism
- Lift/Trendelenburg pedals on both sides
- Trendelenburg & reverse Trendelenburg +/- 18°
- Dual Fowler assisted lift back rest with 90° adjustability
- Fold forward side rails with built in push handles
- 29" or 31" bed width
- 4" comfort mattress
- 2 hook removable telescopic IV pole
- 6 IV pole sockets available
- Large storage area underneath for patient belongings
- Full perimeter bumper to protect your walls and fixtures
- 4 restraint belt locations

OPTIONAL FEATURES

- Fold down push handles
- Knee gatch
- Paper roll dispenser kit *
- Detachable foot board *
- Envelope style rail bumper pads *

* Additional lead time required (7-10 business days)
Note: Model # will change based on features added



Height Adjustment Ranges (FHC-7200 & FHC-7200-31)



Which **Stretcher** is right for *your* facility?



Stretcher Comparison Chart

Standard Features	FHC-7101	FHC-7200
750 lb. weight capacity	X	X
Retractable center fifth wheel		X
Height adjustment range: 22"-35" (bottom of mattress)	X	X
Ergonomically located oxygen tank holder	X	X
8" Tente casters (1 directional & 3 swiveling)	X	
8" Tente casters (4 swiveling)		X
6 brake/steer pedals	X	X
Dual pedestal lift mechanism	X	X
Lift/Trendelenburg pedals on both sides	X	X
Trendelenburg & reverse Trendelenburg +/- 18°	X	X
Dual Fowler assisted lift back rest with 90° adjustability	X	X
Fold forward side rails with built in push handles	X	X
29" or 31" bed width	X	X
4" comfort mattress	X	X
2 hook removable telescopic IV pole	X	X
6 IV pole sockets available	X	X
Large storage area underneath for patient belongings	X	X
Perimeter bumper to protect your walls and fixtures	X	X
4 restraint belt locations	X	X

Optional Features	FHC-7101	FHC-7200
5th wheel add-on kit	X	
Fold down push handles	X	X
Knee gatch	X	X
Paper roll dispenser kit*	X	X
Detachable foot board*	X	X
Envelope style rail bumper pads*	X	X

* Additional lead time required (7-10 business days)

Note: Model # will change based on features added

For questions or to place an order, contact our customer service department at **407-322-3672** or **800-282-8644**, or by email at sales@fhcusa.com.