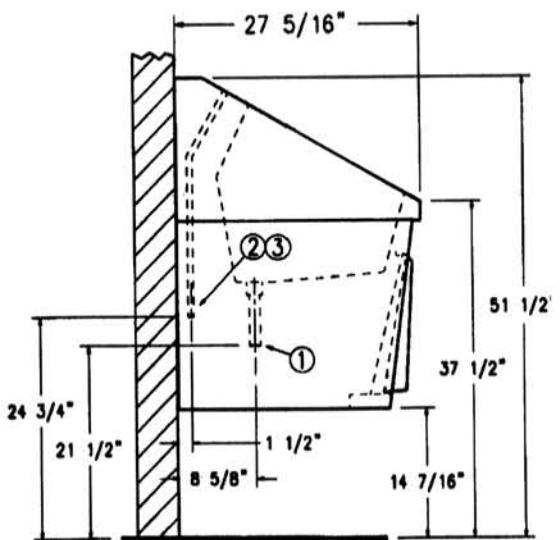


REGULARLY FURNISHED
 AS SHOWN, HEAVY STEEL STANCHIONS
 & SUPPORTING PLATES. "DURA-COATED"
 CAST IRON FEET.

FURNISHED WHEN SPECIFIED
 □ LONGER SUPPORTING BOLTS
 □ LONGER STANCHIONS

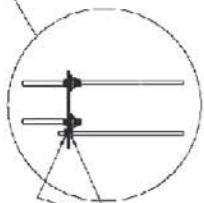
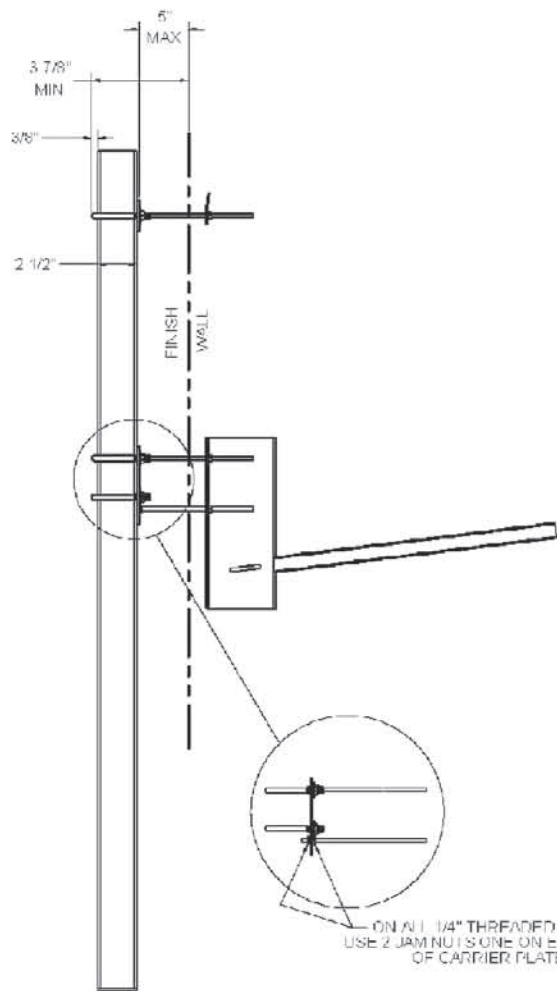
PROD. NO.	A	B	C	D	E	F	G	H
ZR-1224-75	33 1/4	34 3/8	39	28 1/4	2 1/2	15 5/8	28	2 5/8



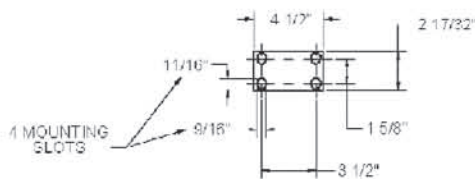
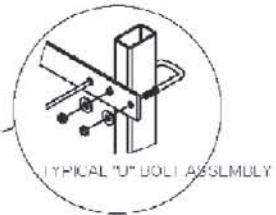
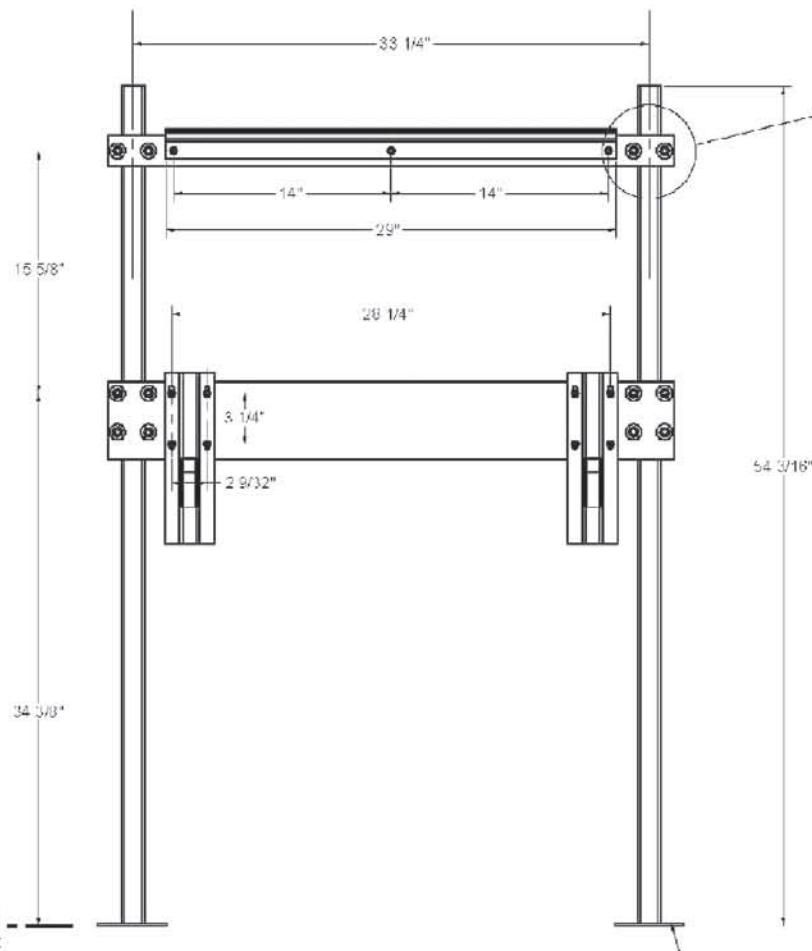
- ① — 1 1/2" WASTE TERMINAL TAILPIECE
- ② — 1/2" NPT FEMALE C.W. TERMINAL (20-50 PSIG)
- ③ — 1/2" NPT FEMALE H.W. TERMINAL (20-50 PSIG)

Warranty

All equipment manufactured by Future Health Concepts, Inc. will carry a 6-month labor and 2-year parts guarantee. The factory will service all units without cost to the buyer for 6 months from shipment. After the 6-month period, replacement of a defective part (Labor) will be at buyer's expense. We will exchange all defective parts at no cost to the buyer for a period of 2 years from shipment. All defective parts must be returned within 30 days to ensure proper credit.



ON ALL 1/4" THREADED RODS
USE 2 JAM NUTS ONE ON EACH SIDE
OF CARRIER PLATE



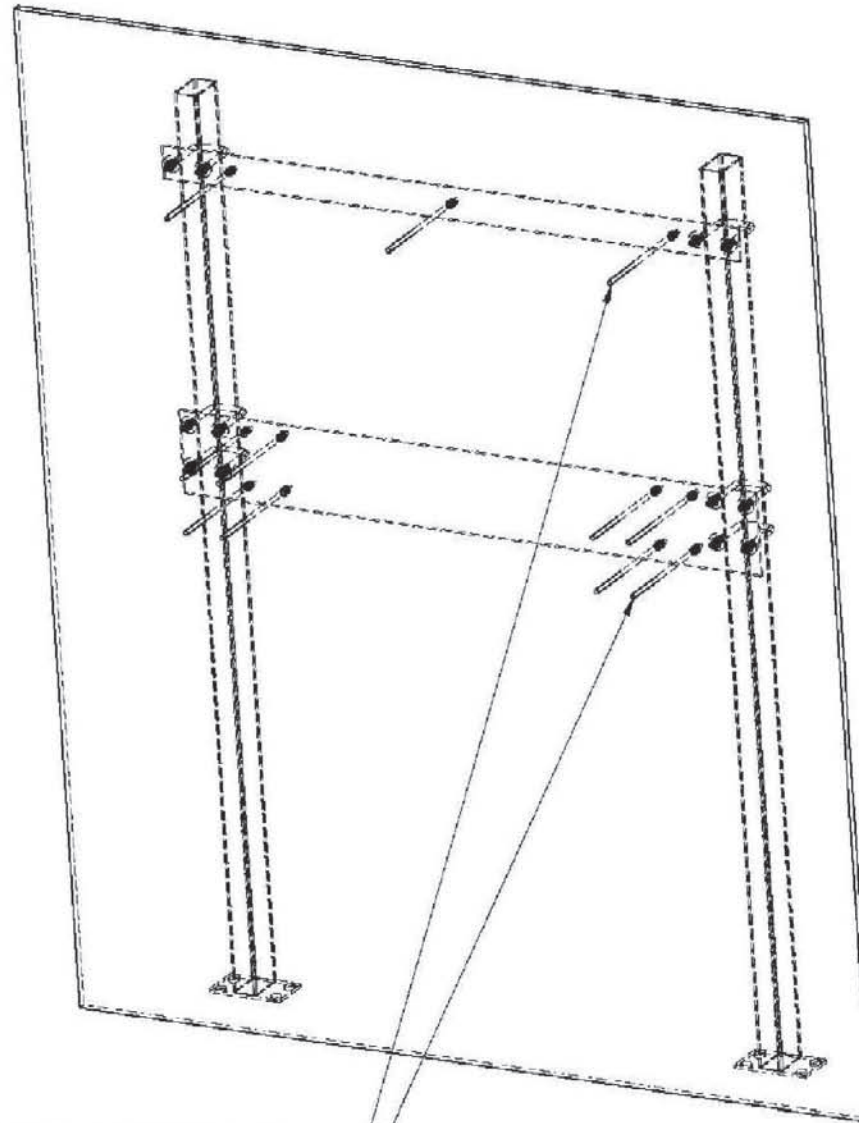
FOUR 1/2" CONCRETE ANCHORS PER POST
SUPPLIED BY INSTALLER



FUTURE HEALTH
CONCEPTS, INC
1211 E. 30TH ST
SANFORD, FL 32773
(800) 282-8644
(407) 322-3672 DIRECT
(407) 322-3871 FAX
WWW.FHCUSA.COM



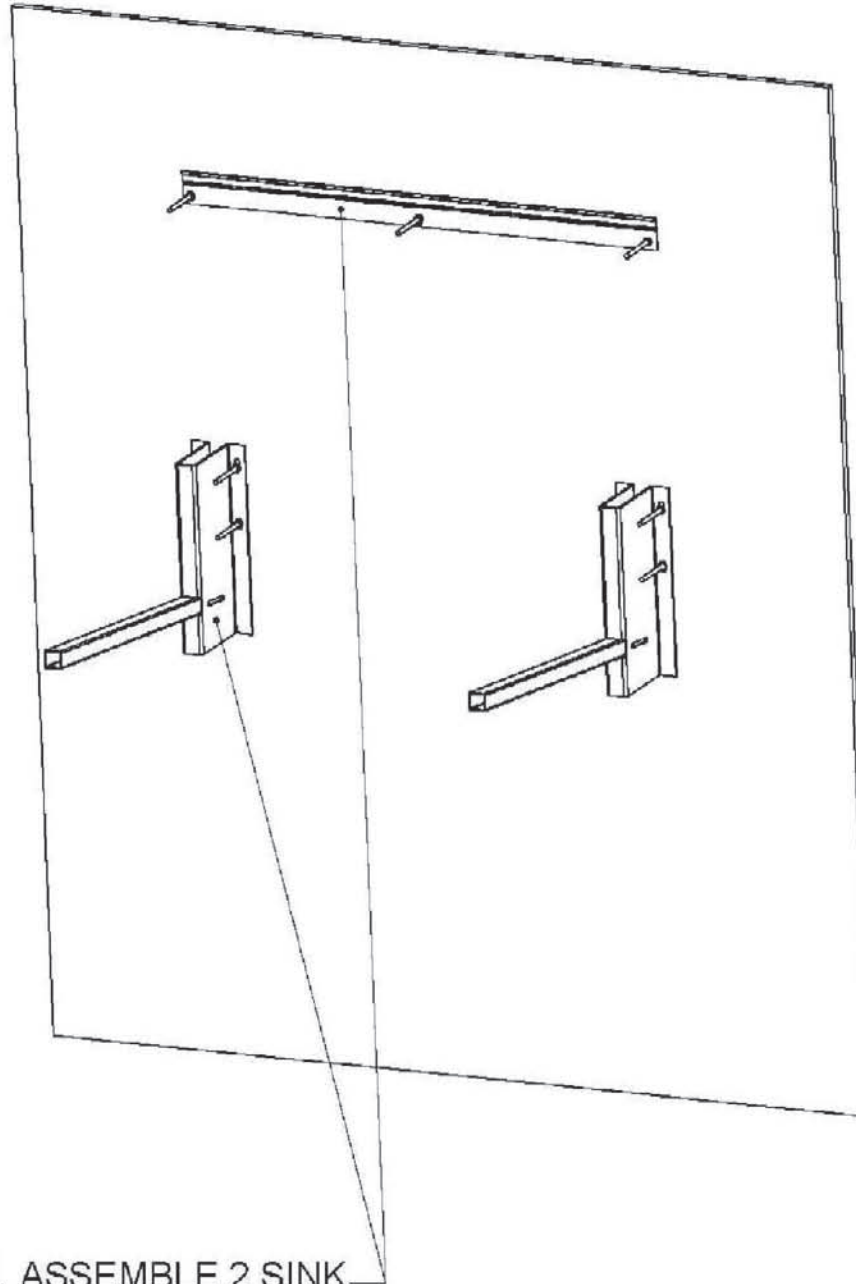
FUTURE HEALTH
CONCEPTS, INC
1211 E. 30TH ST
SANFORD, FL 32773
(800) 282-8644
(407) 322-3672 DIRECT
(407) 322-3871 FAX
WWW.FHCUSA.COM



AFTER ASSEMBLING THE SINK SUPPORT SYSTEM,
BUILD A WALL TO ENCLOSE THE SYSTEM. THE
1/4 INCH STUDS MUST PROTRUDE PAST THE
FINISH WALL A MINIMUM OF 1 INCH



FUTURE HEALTH
CONCEPTS, INC
1211 E. 30TH ST
SANFORD, FL 32773
(800) 282-8644
(407) 322-3672 DIRECT
(407) 322-3871 FAX
WWW.FHCUSA.COM



AFTER WALL IS COMPLETE, ASSEMBLE 2 SINK
SUPPORT BRACKETS AND 1 "Z" BRACKET TO
PROTRUDING STUDS WITH HEX NUTS