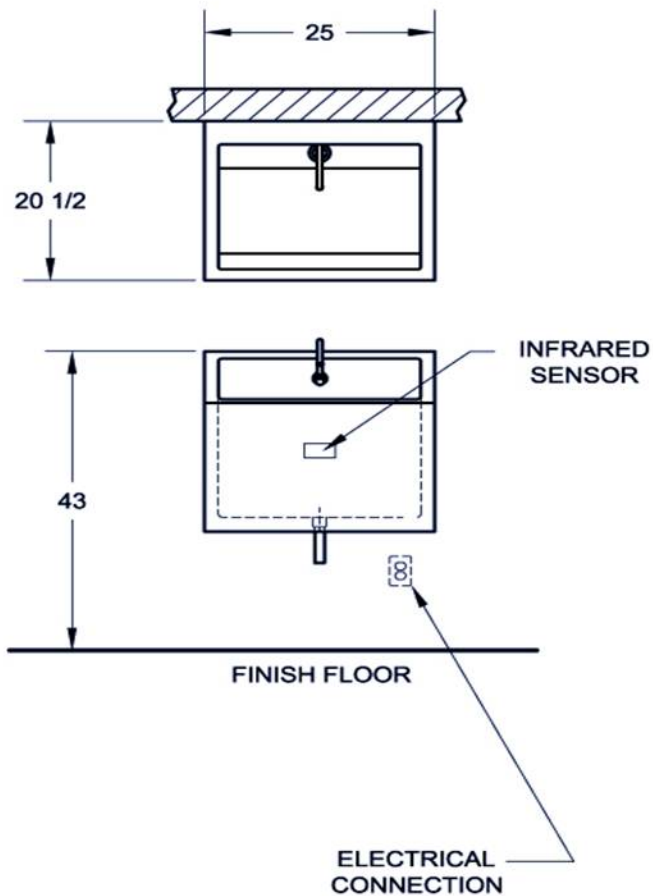
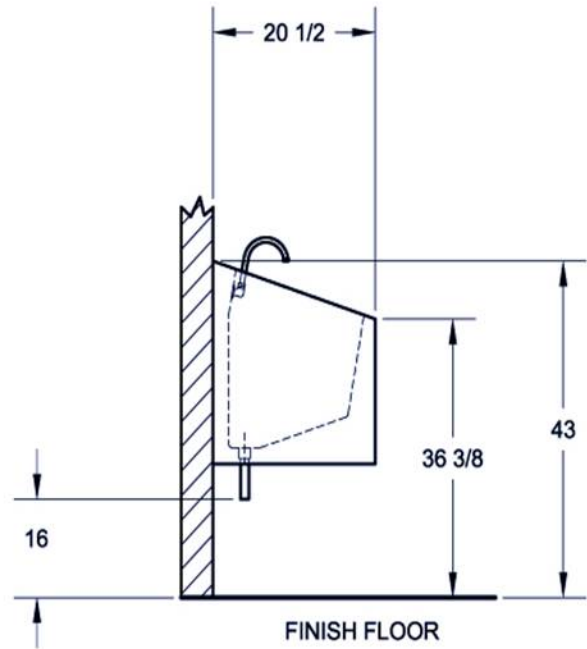
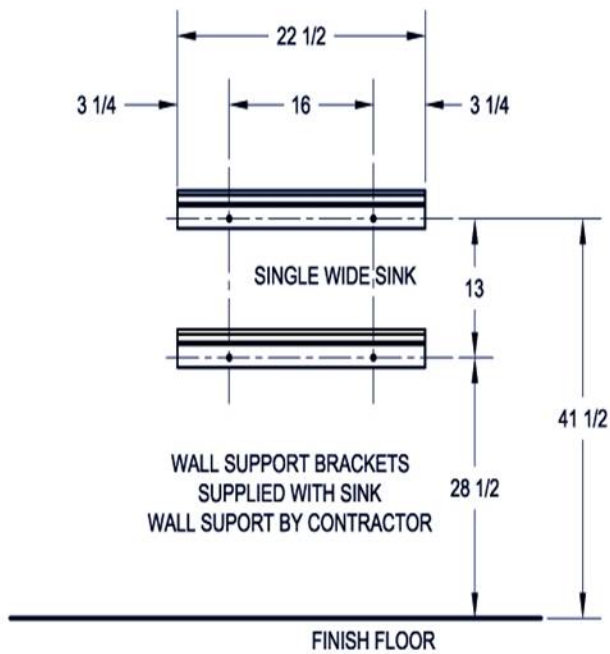


SS25 SINK DRAWING



Future Health Concepts
1211 E. 30th Street
Sanford, FL 32773

(800) 282-8644
(407) 322-3871 Fax
(407) 322-3672
Sales@fhcusa.com
Website: fhcusa.com